



barrier free drinking fountains

STAINLESS STEEL ACCESSIBLE
DRINKING FOUNTAINS
ACCOMMODATE BOTH WHEELCHAIR
AND PEDESTRIAN ACCESS
CONTEMPORARY DESIGN


installing **confidence**

www.enware.com.au

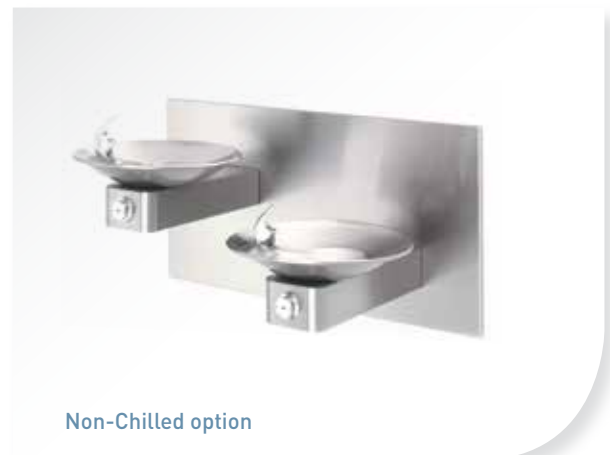
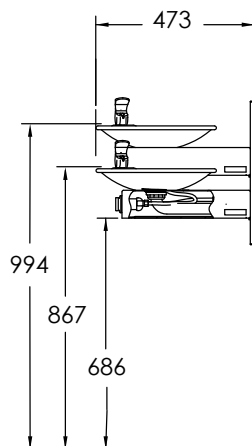
accessible wall mounted

- Barrier free design
 - Vandal resistant bubbler and push button
 - Laminar flow which produces a more even flow and eliminates splashing
 - Front access stream adjustment
 - Swirl bowl design channels water to ensure proper drainage
 - Vandal-resistant components and bottom plates
 - Pre-assembled and fully water tested for convenience and quick installation
 - 18-gauge, 304 Stainless Steel bowl
- **Chilled options available**



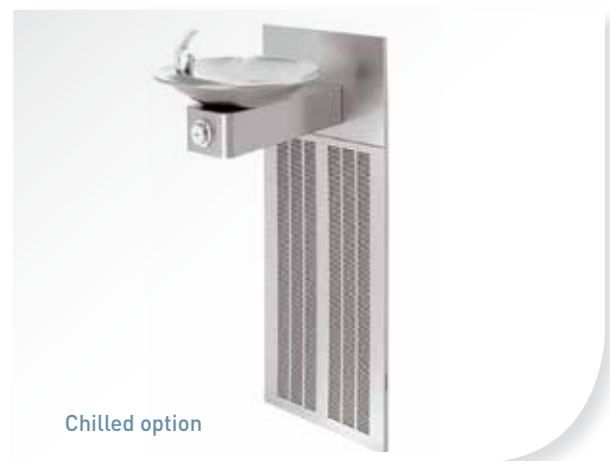
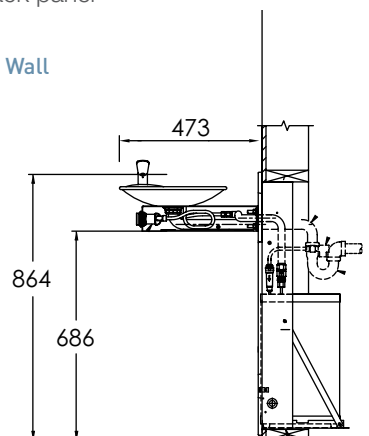
DELUXE ACCESSIBLE HI-LO WALL MOUNTED DRINKING FOUNTAIN

- Split height design with matching brushed finish back panel
- Order Code:
CDF320D - Deluxe Accessible Hi-Lo Wall Mounted Drinking Fountain
CDF320DC - Chilled option



DELUXE ACCESSIBLE WALL MOUNTED DRINKING FOUNTAIN

- Matching brushed finish back panel
- Order Code:
CDF300D - Deluxe Accessible Wall Mounted Drinking Fountain
CDF300DC - Chilled option



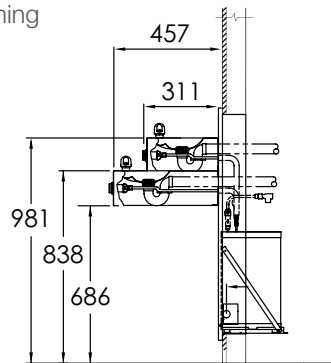
ACCESSIBLE HI-LO WALL MOUNTED DRINKING FOUNTAIN

- Split height design with matching brushed finish back panel

Order Code:

CDF340D - Accessible Hi-Lo Wall Mounted Drinking Fountain

CDF340DC - Chilled option



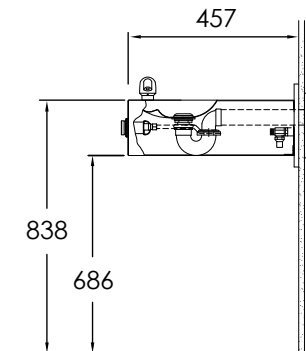
Chilled option

ACCESSIBLE WALL MOUNTED DRINKING FOUNTAIN

Order Code:

CDF330D - Accessible Wall Mounted Drinking Fountain

CDF330DC - Chilled option



Non-Chilled option

accessible pedestal mounted

- Barrier free design
- Outdoor use
- Satin finish stainless steel bowl
- Fully accessible for wheelchair users
- Vandal-resistant components
- Chrome-plated brass bubbler head, provides higher level of hygiene
- Aesthetically pleasing and protective powder-coated surfaces
- Heavy-duty stainless steel construction



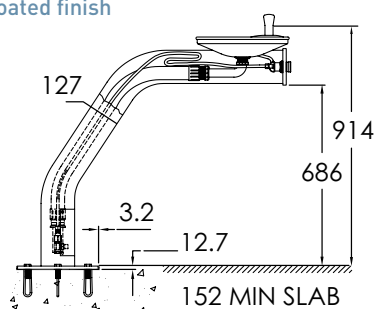
ACCESSIBLE PEDESTAL MOUNTED DRINKING FOUNTAIN

Order Code:

CDF401D - *Green powder coated finish

CDF400D - Galvanised finish

**Other colours available upon request*



ALSO AVAILABLE FROM ENWARE

Carekit™

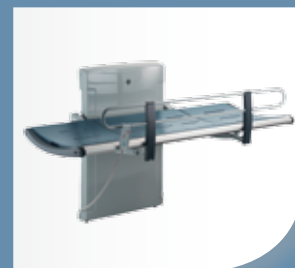
Practical product packages to meet requirements for public accessible toilets – AS1428.1-2009.



NURSING BENCH

Height adjustable nursing bench which can be used in wet or dry areas, comfortable and safe.

Order code:
EP-R8538021 – 1800mm including safety rail (pictured here)



IFO CARE600

IFO Toilet - S Trap Seat without Lid with Support Arms, provides safe and comfortable support for raising and sitting on toilet, arms raise individually for easy sideways access.

Order Code:
CARE600



HEIGHT ADJUSTABLE SHAMPOO BASIN

Our wall mounted, height adjustable shampoo basin package allows for frequent vertical movement when dealing with mixed user requirements.

Order Code:
CD631



ADJUSTABLE HEIGHT MECHANISMS

Enware is proud to offer Pressalit's Care height adjustable bench top frames that enable optimal and ergonomically correct working environments. In common working areas and private shared homes, height-adjustable solutions allow users to participate in working and other joint activities irrespective to differences in mobility and physical ability.



BARIATRIC PAN

Our unique floor standing toilet pan is specifically designed for bariatric users. A substantial pan footprint ensures stability and the overall dimensions guarantee a bariatric commode chair can be placed over without obstruction.

Order code:
EWS505B



 **ENWARE**
installing **confidence**

OUR OFFICES

NEW SOUTH WALES | VICTORIA | SOUTH AUSTRALIA | WESTERN AUSTRALIA
QUEENSLAND | NEW ZEALAND | ASIA | MIDDLE EAST

1300 369 273 | WWW.ENWARE.COM.AU | INFO@ENWARE.COM.AU