



# aquablend SQX™

## sequential thermostatic mixers

---

AUSTRALIAN MADE  
POINT OF USE THERMOSTATICS  
SEQUENTIAL MIX TECHNOLOGY

 **ENWARE**

installing **confidence**

[www.enware.com.au](http://www.enware.com.au)

# Aquablend SQX™ - a safer choice for warm water delivery

**AQUABLEND HIGH PERFORMANCE THERMOSTATIC MIXING VALVE TECHNOLOGY IS NOW COMBINED WITH SEQUENTIAL MIXING TECHNOLOGY TO PROVIDE THE FIRST WATERMARK CERTIFIED POINT OF USE THERMOSTATIC MIXERS IN AUSTRALIA.**

**DESIGNED AND MANUFACTURED IN AUSTRALIA, THE AQUABLEND SQX™ RANGE DELIVERS THE MOST ADVANCED CHOICE FOR SAFE WARM WATER DELIVERY IN HIGH RISK APPLICATIONS SUCH AS HOSPITALS AND AGED CARE FACILITIES.**

The Aquablend SQX™ range delivers temperature controlled heated water for individual basin, sink and shower applications, specifically designed for use in higher risk environments such as healthcare, aged care, schools, child care centres and by people with disabilities.

For these environments Enware has long believed that absolute quality is crucial for reliable performance and safety. That's why the Aquablend SQX™ thermostatic mixers are WaterMarked to AS4032.1 for compliance with the National Plumbing and Drainage Code AS/NZS 3500 and are supported by more than seven decades of Enware's experience and expertise.



**WaterMark**

AS 4032.1 WMKA25301  
SAI Global



**AQUABLEND**



## LEGIONELLA: MINIMISATION OF RISK

Building regulations state that the circulation of hot water must be at temperatures sufficiently high enough to stop the legionella, that naturally occurs in the water supply, from multiplying to a level that may cause health problems to susceptible people. In Australia, Health Department Guidelines and the National Plumbing and Drainage Code stipulates that hot water shall be stored at no less than 60°C to help prevent the growth of legionella.

## THE EFFECT OF TEMPERATURE ON LEGIONELLA

TEMPERATURE RANGE	EFFECT ON LEGIONELLA
70-80°C	Disinfection range
66°C	Legionella will die in 2 minutes
60°C	Legionella will die in 32 minutes
55°C	Legionella will die in 5-6 hours
50-55°C	Legionella can survive but will not multiply
20-50°C	Legionella growth range
Below 20°C	Legionella can survive but are dormant

## MICROBIAL GROWTH OR SCALD PROTECTION

Water below 50°C has been considered 'safe' for scald protection. But even at this temperature 45 seconds of exposure can result in second degree burns on a child. However water stored below 50°C creates a breeding ground for legionella bacteria.

A solution to both challenges is to fit an Aquablend SQX thermostatic mixer at the point of use. This allows the hot water to be at a sufficiently high temperature in the plumbing system to prevent bacteria or microbial growth whilst delivering safe, controlled temperature warm water for users. Typically 38-45°C in high risk applications such as hospitals or nursing homes.

## THE AQUABLEND SQX™ PROVIDES THE ADVANTAGES OF:

- Minimises dead-legs in pipework where bacteria growth can occur
- Allows for easier hot water disinfection of plumbing systems
- Self-draining design further reduces bacteria growth risk



# Aquablend SQX™ with sequential mixing technology

## INNOVATIVE SEQUENTIAL CONTROL HELPS SAVE ENERGY

The innovative sequential thermostatic cartridge delivers energy efficient water delivery through a single radial movement. Flow always begins with cold water delivery travelling through a 120 degree arc to the desired heated water temperature for each individual user.

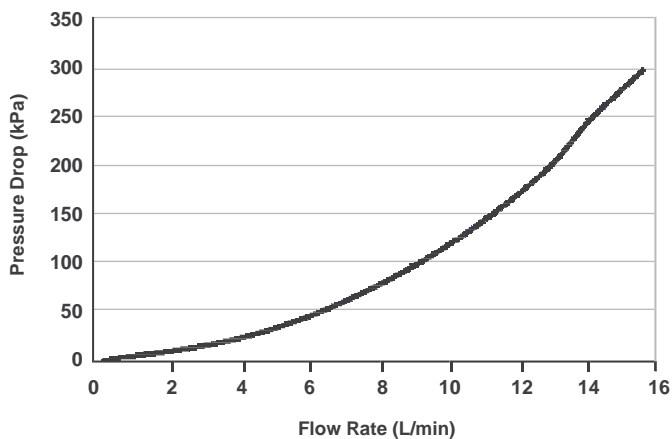
The flow controlled sequential operation always ensures that only cold water is drawn through the mixer during initial actuation, then progressing to precise and safe mixed heated water delivery via thermostatic control. This ensures limited wastage of heated water, therefore delivering significant benefits in reducing energy consumption and the associated carbon emissions.

## WATER EFFICIENCY AND EFFECTIVE WASHING

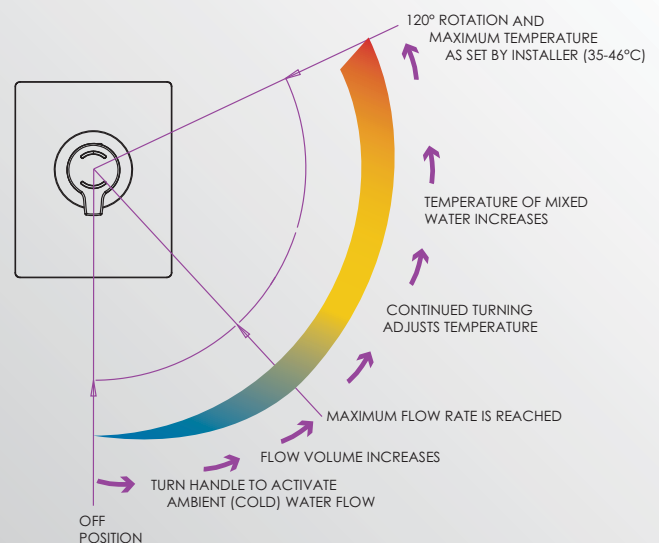
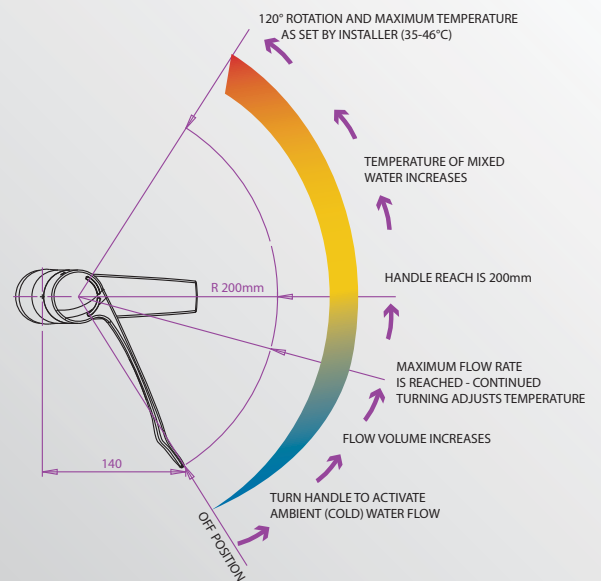
The Aquablend SQX range offers a choice of water efficiency options to best suit the application requirements. In high risk environments there is recognition that clinical hand washing and surgical hand washing can be more effective with higher flows of warm water. The extended lever option allows the tap to be turned off using the elbow to avoid hand cross contamination. Aquablend SQX is available in two flow rate options:

- 5.7 lpm nominal flow rate (5 Star equivalent).
- 6.8 lpm nominal flow rate (4 Star equivalent).

Pressure Drop vs Flow Rate  
(no flow restrictors)



# AQUABLEND





### PROVEN SCALD PROTECTION

The Aquablend SQX range incorporates proven technology for thermostatic temperature control with an easy to maintain design.

- Cool touch engineering prevents the outer surfaces from the heating up by the hot water in the system
- Temperature stability within  $\pm 2^{\circ}\text{C}$ , even during temperature and pressure fluctuations
- Controls temperature spike at ambient start-up
- Thermal shut down in the event of either hot or cold water supply failure
- WaterMark approved to AS4032.1

### EASE OF USE

With main applications being healthcare ease of use was a key feature in the design. The handles are available in two lengths to best suit the application. The shorter lever is best suited to general use in commercial buildings. The longer lever is designed for elbow control in health care and for accessible applications where the extra leverage assists users.

### SMOOTH, EASY TO CLEAN DESIGN

Aquablend SQX™ mixers have been designed with smooth, uncomplicated designs to reduce hidden nooks and crevices that can be difficult to clean effectively.

The mixer design also allows for easy in-situ maintenance and reduced downtime during routine requirements as outlined in AS/NZS3500.4 and AS4032.3.

### AERATOR OPTIONS

Laminar flow is supplied standard on mixers. Aerated flow is available, request when specifying or ordering.



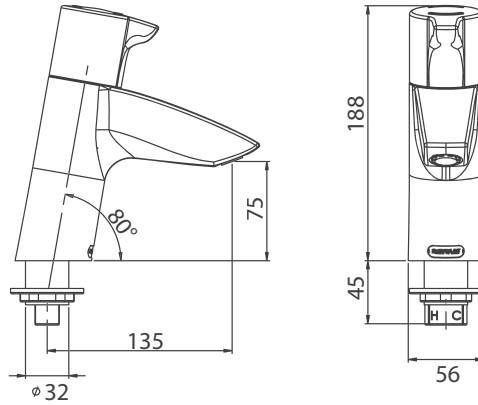
# AQUABLEND SQX™ MIXERS

## AQUABLEND SQX™ THERMOSTATIC BASIN MIXER

Order Code:

**ATM606-4** - 6.8lpm nominal flow rate (4 Star equivalent)

**ATM606-5** - 5.7lpm nominal flow rate (5 Star equivalent)

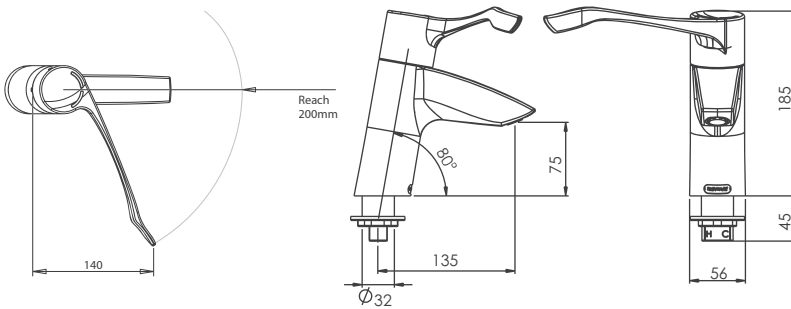


## AQUABLEND SQX™ THERMOSTATIC BASIN MIXER WITH EXTENDED LEVER HANDLE

Order Code:

**ATM606D-4** - 6.8lpm nominal flow rate (4 Star equivalent)

**ATM606D-5** - 5.7lpm nominal flow rate (5 Star equivalent)

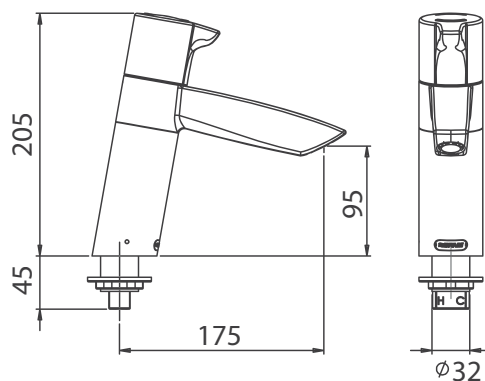


## AQUABLEND SQX™ THERMOSTATIC SINK MIXER - EXTENDED REACH SWIVEL SPOUT

Order Code:

**ATM607-4** - 6.8lpm nominal flow rate (4 Star equivalent)

**ATM607-5** - 5.7lpm nominal flow rate (5 Star equivalent)



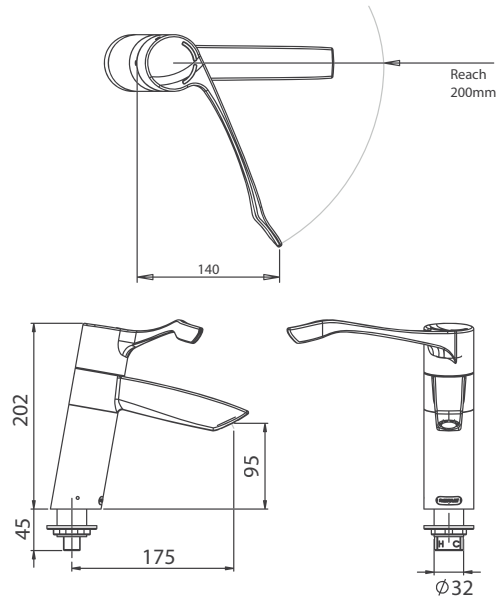
# AQUABLEND SQX™ MIXERS

## AQUABLEND SQX™ THERMOSTATIC SINK MIXER - EXTENDED REACH SWIVEL SPOUT AND LEVER HANDLE

Order Code:

**ATM607D-4** - 6.8lpm nominal flow rate (4 Star equivalent)

**ATM607D-5** - 5.7lpm nominal flow rate (5 Star equivalent)



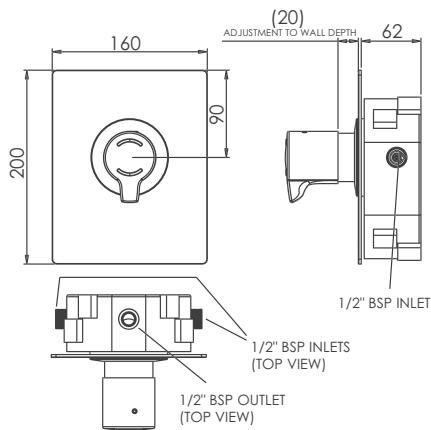
## AQUABLEND SQX™ THERMOSTATIC SHOWER MIXER

Order Code:

**ATM608** - Complete Unit - Including recessed wall box

Order separately for larger projects:  
**ATM608B** - Recessed In-Wall Body and Box Components

**ATM608P** - External Fascia Plate and Handle Components



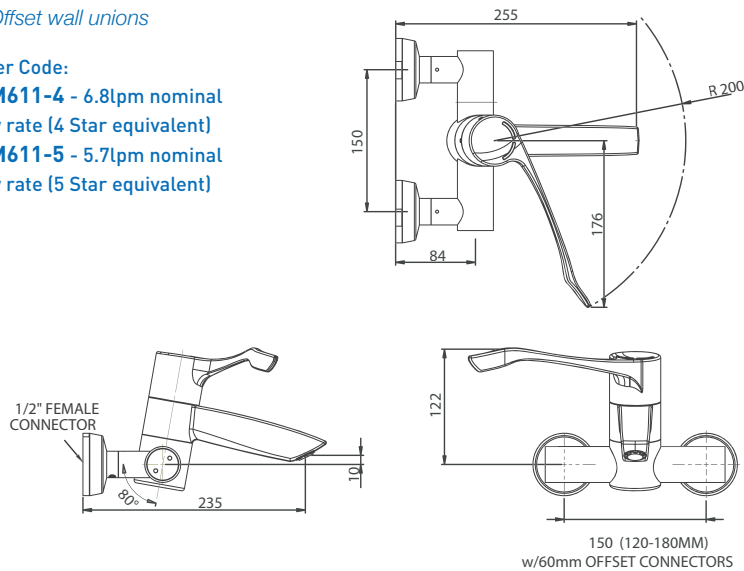
## AQUABLEND SQX™ THERMOSTATIC SURGEON MIXER - WALL MOUNTED

- Offset wall unions

Order Code:

**ATM611-4** - 6.8lpm nominal flow rate (4 Star equivalent)

**ATM611-5** - 5.7lpm nominal flow rate (5 Star equivalent)



## TECHNICAL INFORMATION

Operating Working Pressure:	20 - 500* kPa	<p><i>Enware products are to be installed and maintained in accordance with AS/NZS3500.</i></p> <p><b>NOTE:</b> Enware Australia advises -</p> <ol style="list-style-type: none"> <li>1. Due to ongoing Research and Development, specifications may change without notice.</li> <li>2. All dimensions are in mm and are provided as a guide only. Minor variations may occur due to the manufacturing process.</li> </ol>
*Maximum Outlet Pressure in Accordance with AS/NZS3500:	500 kPa	
Permitted Supply Pressure Variation:	+/-10%	
Hot Temperature Supply Range:	55-85°C	
Cold Temperature Supply Range:	5-25°C	
Minimum Temperature Differential: <i>(between hot supply and the outlet temperature)</i>	10°C	
Adjustable Thermostatic Temperature Range:	35-46°C (+/-2)	

## ALSO AVAILABLE FROM ENWARE

### LEVA SERIES TAPWARE AND SHOWERS

Enware's Leva range combines outstanding quality with functional, leading edge design to be ideally suited for hospitals, aged care facilities and food applications.



### FRANKE BASINS AND SINKS

Choose from a wide range of stainless steel washroom accessories from the Franke Washroom Systems commercial range. Includes hands free soap dispensers for dedicated hand wash areas and a full range of accessories for restrooms.



### ELECTRONIC TAPWARE

Electronic tapware with hygienic, non-touch activation for cold or mixed temperature water.



### AQUABLEND TMV RANGE

Thermostatic Mixing Valve (TMV) solutions for the safe delivery of mixed warm water to multiple outlets.



### DETENTION TAPWARE

For high risk applications such as gaols, detention centres and public facilities.



### CAREKIT - ACCESSIBLE TOILET SOLUTION

Convenience of bathroom elements in one easy kit for assisting with meeting DDA and AS1428 requirements for wheelchair accessible toilets.



## ENWARE IN BRIEF

Enware is a world-leading Australian designer and manufacturer of quality specialist commercial tapware solutions and safety systems.

Since inception in 1937, Enware Australia has grown significantly. Today, Enware has offices located around the country and is represented in major regions throughout the world including Asia, the Pacific, the Middle East and Europe. As a global leader of specialist tapware and safety systems, Enware offers a more extensive range than any other company on the market.

## SOPHISTICATED MANUFACTURING DELIVERS PREMIUM QUALITY

To develop our innovative specialist products we use extensive market research, our technical know-how and experience.

Our precision manufacturing plants ensure the quality and reliability for which Enware products are renown, with our continued commitment to meeting Australian and international standards.

We strive to exceed your expectations by providing durable, dependable products that offer water efficient solutions and are designed and manufactured in an environmentally caring manner.

SPECIALIST  
PLUMBING SOLUTIONS

ADAPTABLE WORK  
& LIVING SOLUTIONS

ENVIRONMENTAL, HEALTH  
& SAFETY SOLUTIONS

STAINLESS STEEL  
WASHROOM SYSTEMS



ADDRESS: 9 Endeavour Road, Caringbah NSW 2229 Australia  
 POSTAL ADDRESS: P.O. Box 2545, Taren Point NSW 2229 Australia  
 PHONE: 61 2 8556 4000      FAX: 61 2 8556 4055  
 1300 369 273 (AUS)      WWW.ENWARE.COM.AU      INFO@ENWARE.COM.AU

